



AN ISO 9001-2015 COMPANY

ZMIR

SOLAR ENERGY



जल है तो कल है,
ZMIR पंप है तो सालो साल है

Product Selection Guide



Good & Cheap Won't be Fast
Fast & Good Won't be Cheap
Cheap & Fast Won't be Good

**Domestic
Industrial
Agriculture**

Borewell Submersible Pumpset

Openwell Submersible Pumpset

Domestic Monoblock Pumpset

About Us

We Ranjan Industries are leading manufacturer and supplier of Submersible Motor-Pump set, Open-well and mono-block pump set and allied spare parts as '**ZMR**' brand. We believe in the visions of “Make in India” and “Zero Maintenance Resource” pronounced by the visionaries and the same has been proven with the complete back-end undertaken by us and our past history.

We are accredited with BIS, IS, CE and ISO certification for its quality aspects.

ZMR is a family-owned company with a history of more than 20 years.

- Today, we are a reality that has evolved over the years, always looking to the future with a spirit that has brought us to being a respected reference point in the great world of Water.
- We are committed to studying, developing, manufacturing and Domestic, Agriculture, Industrialize Pumping systems. Each component is internally developed to grant the maximum quality and the best performances.
- Each single product undergoes full production testing to verify quality standards of each item; our history has taken our tradition and strength to you, Acknowledged for our professionalism, quality, reliability, and service.
- **Why 'ZMR'?**

Owing to the superior quality of the product range offered, we have carved a firm foothold in the domain. The products offered by us are in compliance with industrial standards and are offered at most affordable prices. The professionals appointed by us invest their long working hours in manufacturing products as per clients' specifications and details to meet their exact requirements.

Following are the factors that have contributed in our success:

- Timely delivery
- Quality-proven range
- Wide distribution network
- Vast industrial experience
- Customization options
- **'ZMR' Strength**
 - ✓ Technically Qualified Professionals
 - ✓ Experienced R&D Team
 - ✓ Strong supply chain management
 - ✓ OEM Capability
 - ✓ **ZMR** is a value driven company with integrity trust, Timely delivery

- **'ZMR' Team**

We have a talented group of professionals. Our experts work hard to know the requirements of patrons. Together with this, our team members are in constant dialogue with the clients that help them cater to their exact needs.

-: Index :-

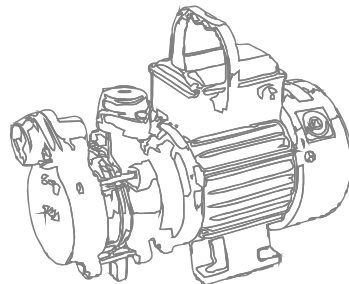
Sr. No.	Particular	Page No.
1	Self Priming Monoblock Pump	04
2	V-3 Premium Submersible Pump	05
3	V-4 Delux Submersible Pump	06
4	V-4 Special Submersible Pump	08
5	V-4 Mixed Flow Submersible Pump	09
6	V-6 Slim Submersible Pump	10
7	V-6 Premium Submersible Pump	13
8	V-6 Mixed Flow Submersible Pump	16
9	V-7/V-6 Janta Submersible Pump	18
10	V-7 Horizontal Openwell Pump	19
11	V-9 Horizontal Openwell Pump	20
12	V-7 Vertical Openwell Pump	21
13	V-9 Vertical Openwell Pump	22
14	Monoblock Pump	23

SELF PRIMING MONOBLOCK PUMPS - SINGLE PHASE

Domestic High Discharge & High Suction Self Priming Monoblock Pump

Aluminium Body & Rotor with Brass Impellers , Operating at 230 Volt - 50Hz.

Sr. No.	MODEL	HP	Suction x Delivery (In- Inch)	Head Range (In Metre)	Discharge Range (In LPM)
1	ZMR-2	0.50	1.0" x 1.0"	0 to 20	2400 to 600
2	ZMR-13	0.75	1.0" x 1.0"	0 to 30	2100 to 600
3	ZMR-10	1.00	1.0" x 1.0"	0 to 45	4100 to 800
4	ZMR-11	1.50	1.0" x 1.0"	0 to 55	4200 to 250



V-3 Premium Submersible Pumpset - Single & Three Phase

SS Motor & Pump Dia. 75mm, Pump 30% Glass Filled Noryl Bowl and SS Neck Rings

Suitable for Borwell Dia. 3" or More, 230 Volt 1-Phase & 415 Volt 3-Phase @ 50Hz

MODEL : Z-2

Outlet :1.0"

Sr. No.	MODEL	HP	Stg.	Discharge in LPS / LPM							
				LPS	0.83	0.75	0.67	0.58	0.50	0.42	0.25
				LPM	50	45	40	35	30	25	15
1	Z2-0510	0.5	10	Total Head in Meter	9	14	20	24	28	32	38
2	Z2-7515	0.75	15		14	21	29	36	41	47	56
3	Z2-1020	1.00	20		18	28	39	48	55	63	75

MODEL : Z-4

Outlet :1.0"

Sr. No.	MODEL	HP	Stg.	Discharge in LPS / LPM							
				LPS	1.00	0.92	0.83	0.75	0.67	0.58	0.42
				LPM	60	55	50	45	40	35	25
4	Z4-0508	0.5	8	Total Head in Meter	5	12	15	19	22	26	32
5	Z4-7512	0.75	12		8	18	23	28	34	39	48
6	Z4-1015	1.00	15		10	22	29	35	42	49	64
7	Z4-1525	1.50	25		17	37	48	58	70	82	100

MODEL : Z-5

Outlet :1.0"

Sr. No.	MODEL	HP	Stg.	Discharge in LPS / LPM & Head Range in Metre							
				LPS	1.17	1.08	1.00	0.92	0.83	0.75	0.58
				LPM	70	65	60	55	50	45	35
8	Z5-0507	0.5	7	Total Head in Meter	3	9	13	16	19	21	26
9	Z5-7510	0.75	10		4	13	18	23	27	30	37
10	Z5-1013	1.00	13		7	15	23	30	33	37	45
11	Z5-1518	1.50	18		8	23	32	41	48	54	67

MODEL : Z-7

Outlet :1.0"

Sr. No.	MODEL	HP	Stg.	Discharge in LPS / LPM & Head Range in Metre							
				LPS	1.33	1.25	1.17	1.08	0.92	0.67	0.50
				LPM	80	75	70	65	55	40	30
12	Z7-0508	0.5	8	Total Head in Meter	2	6	10	13	18	23	25
13	Z7-7512	0.75	12		4	7	14	20	25	31	34
14	Z7-1015	1.00	15		6	9	19	26	34	41	45
15	Z7-1525	1.50	25		10	15	29	32	42	48	55

MODEL : Z-10

Outlet :1.0"

Sr. No.	MODEL	HP	Stg.	Discharge in LPS / LPM & Head Range in Metre							
				LPS	1.58	1.42	1.33	1.25	1.08	0.83	0.67
				LPM	95	85	80	75	65	50	40
16	Z10-0505	0.5	5	Total Head in Meter	4	8	10	11	13	16	18
17	Z10-7509	0.75	9		6	11	15	16	20	24	27
18	Z10-1012	1.00	12		8	15	20	22	26	32	36
19	Z10-1518	1.50	18		12	22	30	33	39	48	54

NOTE : 0.50 HP & 0.75 HP MOTOR AVAILABLE IN SINGLE PHASE ONLY



V-4 DELUXE Submersible Pumpset - Single & Three Phase

SS Motor & Pump Dia. 100mm, Pump 30% Glass Filled Noryl Bowl and SS Neck Rings

Suitable for Borwell Dia. 4" or More, Operating 230 Volt 1-Phase & 415 Volt 3-Phase @ 50Hz

MODEL : ZRD-01

Outlet : 1.0"

Sr. No.	MODEL	HP	Stg.	Discharge in LPS / LPM							
				LPS	0.75	0.67	0.63	0.53	0.45	0.38	0.33
				LPM	45	40	38	32	27	23	20
1	ZRD01-0510	0.50	10	Total Head in Meter	20	30	35	40	47	52	57
2	ZRD01-7515	0.75	13		24	35	42	52	56	68	74
3	ZRD01-1018	1.00	18		36	54	63	72	84	93	102
4	ZRD01-1522	1.50	22		48	70	80	88	110	125	130
5	ZRD01-2030	2.00	30		60	80	87	120	135	160	178
6	ZRD01-3035	3.00	35		70	105	122	140	164	182	200

MODEL : ZRD-02

Outlet : 1.0"

Sr. No.	MODEL	HP	Stg.	Discharge in LPS / LPM							
				LPS	1.08	0.92	0.83	0.75	0.72	0.63	0.47
				LPM	65	55	50	45	43	38	28
7	ZRD02-0507	0.50	8	Total Head in Meter	16	24	29	32	38	41	48
8	ZRD02-7512	0.75	12		26	36	42	48	55	65	70
9	ZRD02-1015	1.00	15		30	45	52	60	70	77	84
10	ZRD02-1520	1.50	20		40	60	70	80	94	104	114
11	ZRD02-2025	2.00	25		50	75	88	100	117	130	142
12	ZRD02-3030	3.00	30		60	80	100	120	135	150	175

MODEL : ZRD-04

Outlet : 1.25"

Sr. No.	MODEL	HP	Stg.	Discharge in LPS / LPM							
				LPS	1.58	1.33	1.25	1.08	0.95	0.78	0.67
				LPM	95	80	75	65	57	47	40
13	ZRD04-0505	0.50	5	Total Head in Meter	10	15	18	20	25	27	28
14	ZRD04-7510	0.75	10		20	30	25	40	47	52	57
15	ZRD04-1012	1.00	12		25	35	40	48	50	58	65
16	ZRD04-1515	1.50	15		30	45	55	60	73	81	85
17	ZRD04-2020	2.00	20		40	60	70	80	102	113	120
18	ZRD04-3025	3.00	25		50	58	85	100	115	135	150

MODEL : ZRD-05

Outlet : 1.25"

Sr. No.	MODEL	HP	Stg.	Discharge in LPS / LPM							
				LPS	2.00	1.75	1.58	1.33	1.22	1.00	0.83
				LPM	120	105	95	80	73	60	50
19	ZRD05-7506	0.75	6	Total Head in Meter	12	18	21	24	26	31	34
20	ZRD05-1008	1.00	8		16	24	28	32	34	41	45
21	ZRD05-1512	1.50	12		26	36	42	48	52	62	68
22	ZRD05-2015	2.00	15		30	45	52	60	68	78	85
23	ZRD05-3020	3.00	20		40	60	70	80	90	102	104



MODEL : ZRD-07
Outlet : 1.50"

Sr. No.	MODEL	HP	Stg.	Discharge in LPS / LPM							
				LPS	2.25	2.00	1.87	1.80	1.63	1.50	1.25
				LPM	135	120	112	108	98	90	75
24	ZRD07-1007	1.00	7	Total Head in Meter	14	18	21	24	28	33	40
25	ZRD07-1510	1.50	10		20	28	30	40	42	46	55
26	ZRD07-2013	2.00	13		26	36	42	52	58	64	72
27	ZRD07-3016	3.00	15		32	46	55	64	72	80	88

MODEL : ZRD-10
Outlet : 1.50"

Sr. No.	MODEL	HP	Stg.	Discharge in LPS / LPM							
				LPS	3.00	2.75	2.47	2.33	2.05	1.75	1.50
				LPM	180	165	148	140	123	105	90
28	ZRD10-1005	1.00	5	Total Head in Meter	10	15	18	20	23	25	28
29	ZRD10-1508	1.50	8		16	24	28	32	37	41	45
30	ZRD10-2010	2.00	10		20	3	35	40	45	50	56
31	ZRD10-3012	3.00	12		24	36	42	48	55	60	67

MODEL : ZRD-12
Outlet : 2.00"

Sr. No.	MODEL	HP	Stg.	Discharge in LPS / LPM							
				LPS	3.17	2.83	2.67	2.58	2.17	2.00	1.67
				LPM	190	170	160	155	130	120	100
32	ZRD12-1506	1.50	6	Total Head in Meter	13	18	21	25	30	33	36
33	ZRD12-2008	2.00	8		17	22	29	33	40	45	48
34	ZRD12-3009	3.00	9		19	25	32	36	45	48	52

MODEL : ZRD-18
Outlet : 2.00"

Sr. No.	MODEL	HP	Stg.	Discharge in LPS / LPM							
				LPS	5.00	4.75	4.33	4.17	3.75	3.25	2.42
				LPM	300	285	260	250	225	195	145
35	ZRD18-1505	1.50	5	Total Head in Meter	8	12	15	17	19	21	27
36	ZRD18-2007	2.00	7		10	15	21	23	25	28	35
37	ZRD18-3008	3.00	8		12	17	24	26	28	32	40

NOTE : 0.5HP & 0.75HP MODELS ARE AVAILABLE in SINGLE PHASE ONLY


V-4 SPECIAL Submersible Pumpset - Single & Three Phase

Stainless Steel Motor & Pump Dia. 100mm, Pump 30% Glass Filled Noryl Bowl and SS Neck Rings

Suitable for Borwell Dia. 4" or More, Operating 230 Volt 1-Phase & 415 Volt 3-Phase @ 50Hz

MODEL : ZRR-02

Outlet : 1.25"

Sr. No.	MODEL	HP	Stg.	Discharge in LPS / LPM								
				LPS	1.25	1.17	1.08	1.00	0.92	0.67	0.47	0.30
				LPM	75	70	65	60	55	40	28	18
1	ZRR02-3025	3.0	25	Total Head in Meter	55	80	120	142	150	170	160	185
2	ZRR02-5035	5.0	35		120	145	180	200	210	225	235	245
3	ZRR02-6540	6.5	40		180	205	220	235	240	285	290	305

MODEL : ZRR-03

Outlet : 1.25"

Sr. No.	MODEL	HP	Stg.	Discharge in LPS / LPM								
				LPS	1.62	1.47	1.33	1.20	1.08	0.83	0.58	0.42
				LPM	97	88	80	72	65	50	35	25
11	ZRR03-3020	3.0	20	Total Head in Meter	57	71	88	100	120	146	150	155
12	ZRR03-5030	5.0	30		62	87	128	150	180	190	200	210
13	ZRR03-6535	6.5	35		120	150	175	200	210	225	235	250
14	ZRR03-7540	7.5	40		140	165	185	220	240	290	298	304

MODEL : ZRR-05

Outlet : 1.50"

Sr. No.	MODEL	HP	Stg.	Discharge in LPS / LPM								
				LPS	2.25	2.08	1.83	1.63	1.50	1.17	0.92	0.50
				LPM	135	125	110	98	90	70	55	30
21	ZRR05-3015	3.0	15	Total Head in Meter	45	60	70	75	90	99	105	114
22	ZRR05-5022	5.0	22		90	100	110	120	132	145	160	165
23	ZRR05-6528	6.5	28		105	120	135	145	168	183	193	213
24	ZRR05-7532	7.5	32		150	158	170	180	192	207	220	240

MODEL : ZRR-07

Outlet : 1.5"

Sr. No.	MODEL	HP	Stg.	Discharge in LPS / LPM								
				LPS	2.50	2.37	2.25	2.00	1.67	1.42	1.08	0.50
				LPM	150	142	135	120	100	85	65	30
34	ZRR07-3010	3.0	10	Total Head in Meter	35	48	50	55	60	68	70	73
35	ZRR07-5017	5.0	17		60	70	80	90	102	115	122	130
36	ZRR07-6520	6.5	20		72	80	90	105	120	130	140	148
37	ZRR07-7525	7.5	25		112	120	130	140	150	160	170	177

MODEL : ZRR-22

Outlet : 2.0"

Sr. No.	MODEL	HP	Stg.	Discharge in LPS / LPM								
				LPS	8.00	7.67	6.83	6.17	5.08	3.67	2.00	1.67
				LPM	480	460	410	370	305	220	120	100
41	ZRR22-3007	3.0	7	Total Head in Meter	7	10	14	21	28	31	35	38
42	ZRR22-5012	5.0	12		12	18	24	36	48	54	60	66
43	ZRR22-6515	6.5	15		15	23	30	45	60	67	75	82
44	ZRR22-7518	7.5	18		18	27	36	54	72	81	90	99



V-4 Mixed Flow Submersible Pumpset - Single & Three Phase

SS Motor & Pump Dia. 100mm, Pump 30% Glass Filled Noryl Impeller and CI Bowl
 Suitable for Borwell Dia. 4" or More, 230 Volt 1-Phase & 415 Volt 3-Phase @ 50Hz

MODEL : ZMF

Outlet : 2.0"

Sr. No.	MODEL	HP	Stg.	Discharge in LPS / LPM							
				LPS	2.83	2.67	2.50	2.33	2.17	1.83	1.50
				LPM	170	160	150	140	130	110	90
1	ZMF-2006	2.0	6	Total Head in Metre	15	18	21	24	27	30	33
2	ZMF-3009	3.0	9		23	27	32	36	41	45	50
3	ZMF-5015	5.0	15		38	45	53	60	68	75	83



V-6 SLIM Submersible Pumpset - Three Phase

Stainless Steel Motor & Pump Dia. 130mm, Pump SS-304 Bowl & SS-410 Impeller
 Suitable for Borwell Dia. 5.5" or More, Operating 415 Volt 3-Phase @ 50Hz

MODEL : RSM-125

Outlet : 2.5"

Sr. No.	MODEL	HP	Stg.	Middle	Discharge in LPS / LPM						
					LPS	9.00	7.50	6.25	5.00	4.50	4.00
					LPM	540	450	375	300	270	240
1	RSM125-0504	5.0	4	0	Total Head in Meter	20	32	40	44	46	48
2	RSM125-6505	6.5	5	0		25	40	50	55	58	60
3	RSM125-7506	7.5	6	0		30	48	60	66	69	72
4	RSM125-1008	10.0	8	0		40	64	80	88	92	96
5	RSM125-1210	12.5	10	0		50	80	100	110	115	120
6	RSM125-1512	15.0	12	1		60	96	120	132	138	144
7	RSM125-1714	17.5	14	1		70	112	140	154	161	168

MODEL : RSM-100

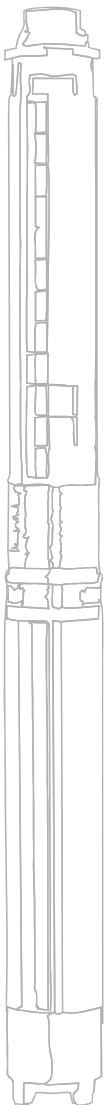
Outlet : 2.5"

Sr. No.	MODEL	HP	Stg.	Middle	Discharge in LPS / LPM						
					LPS	7.92	6.17	5.25	4.50	3.50	2.75
					LPM	475	370	315	270	210	165
8	RSM100-0303	3.0	3	0	Total Head in Meter	15	24	30	33	36	38
9	RSM100-0505	5.0	5	0		25	40	50	55	60	63
10	RSM100-6506	6.5	6	0		30	48	60	66	72	75
11	RSM100-7508	7.5	8	0		40	64	80	88	96	100
12	RSM100-1010	10.0	10	0		50	80	100	110	120	125
13	RSM100-1212	12.5	12	1		60	96	120	132	144	150
14	RSM100-1515	15.0	15	1		75	120	150	165	180	188
15	RSM100-1718	17.5	18	1		90	144	180	198	216	225

MODEL : RSM-080

Outlet : 2.5"

Sr. No.	MODEL	HP	Stg.	Middle	Discharge in LPS / LPM						
					LPS	5.83	5.00	4.33	3.75	3.00	2.00
					LPM	350	300	260	225	180	120
16	RSM080-0304	3.0	4	0	Total Head in Meter	20	32	40	44	48	50
17	RSM080-0506	5.0	6	0		30	48	60	66	72	75
18	RSM080-6508	6.5	8	0		40	64	80	88	96	100
19	RSM080-7510	7.5	10	0		50	80	100	110	120	125
20	RSM080-1012	10.0	12	0		60	96	120	132	144	150
21	RSM080-1215	12.5	15	1		75	120	150	165	180	188
22	RSM080-1518	15.0	18	1		90	144	180	198	216	225
23	RSM080-1722	17.5	22	2		110	176	220	242	264	275



MODEL : RSM-060
Outlet : 2.0"

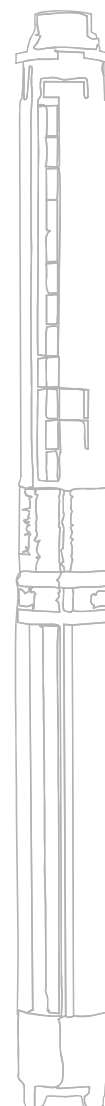
Sr. No.	MODEL	HP	Stg.	Middle	Discharge in LPS / LPM						
					LPS	4.42	3.58	3.08	2.67	2.17	1.50
					LPM	265	215	185	160	130	90
24	RSM060-0305	3.0	5	0	Total Head in Meter	25	40	50	55	60	63
25	RSM060-0508	5.0	8	0		40	64	80	88	96	100
26	RSM060-6510	6.5	10	0		50	80	100	110	120	125
27	RSM060-7512	7.5	12	0		60	96	120	132	144	150
28	RSM060-1016	10.0	16	1		80	128	160	176	192	200
29	RSM060-1220	12.5	20	1		100	160	200	220	240	250
30	RSM060-1524	15.0	24	1		120	192	240	264	288	300
31	RSM060-1728	17.5	28	2		140	224	280	308	336	350

MODEL : RSM-050
Outlet : 2.0"

Sr. No.	MODEL	HP	Stg.	Middle	Discharge in LPS / LPM						
					LPS	3.83	3.17	2.58	2.17	1.58	1.00
					LPM	230	190	155	130	95	60
32	RSM050-0306	3.0	6	0	Total Head in Meter	30	48	60	66	72	75
33	RSM050-0510	5.0	10	0		50	80	100	110	120	125
34	RSM050-6512	6.5	12	0		60	96	120	132	144	150
35	RSM050-7515	7.5	15	1		75	120	150	165	180	188
36	RSM050-1020	10.0	20	1		100	160	200	220	240	250
37	RSM050-1225	12.5	25	2		125	200	250	275	300	313
38	RSM050-1530	15.0	30	2		150	240	300	330	360	375

MODEL : RSM-040
Outlet : 2.0"

Sr. No.	MODEL	HP	Stg.	Middle	Discharge in LPS / LPM						
					LPS	3.17	2.83	2.00	1.50	1.25	0.92
					LPM	190	170	120	90	75	55
39	RSM040-0308	3.0	8	0	Total Head in Meter	40	64	80	88	96	100
40	RSM040-0513	5.0	13	0		65	104	130	143	156	163
41	RSM040-6515	6.5	15	1		75	120	150	165	180	188
42	RSM040-7520	7.5	20	1		100	160	200	220	240	250
43	RSM040-1025	10.0	25	2		125	200	250	275	300	313
44	RSM040-1230	12.5	30	2		150	240	300	330	360	375



MODEL : RSM-030

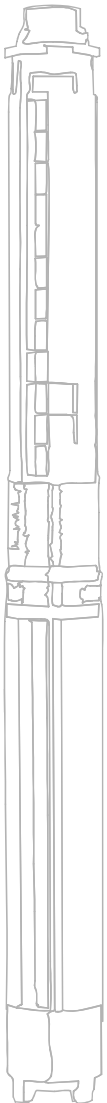
Outlet : 2.0"

Sr. No.	MODEL	HP	Stg.	Middle	Discharge in LPS / LPM						
					LPS	2.08	1.92	1.75	1.58	1.33	0.75
					LPM	125	115	105	95	80	45
45	RSM030-0310	3.0	10	0	Total Head in Meter	50	80	90	100	110	115
46	RSM030-0516	5.0	16	1		80	128	144	160	176	184
47	RSM030-6520	6.5	20	1		100	160	180	200	220	230
48	RSM030-7525	7.5	25	1		125	200	225	250	275	288
49	RSM030-1030	10.0	30	2		150	240	270	300	330	345

MODEL : RSM-025

Outlet : 2.0"

Sr. No.	MODEL	HP	Stg.	Middle	Discharge in LPS / LPM						
					LPS	1.75	1.42	1.25	1.08	0.67	0.33
					LPM	105	85	75	65	40	20
50	RSM025-0312	3.0	12	0	Total Head in Meter	60	96	108	120	132	138
51	RSM025-0520	5.0	20	1		100	160	180	200	220	230
52	RSM025-6524	6.5	24	1		120	192	216	240	264	276
53	RSM025-7530	7.5	30	2		150	240	270	300	330	345



V-6 PREMIUM - ZRS Submersible Pumpset - Three Phase

Stainless Steel Motor & Pump Dia. 142mm, Pump SS-304 Bowl & SS-410 Impeller

Suitable for Borwell Dia. 6" or More, Operating 415 Volt 3-Phase @ 50Hz

50 Feet Head Per Stage

MODEL : ZRS-250

Outlet : 2.5"

Sr. No.	MODEL	HP	Stg.	Middle	Discharge in LPS / LPM						
					LPS	12.83	11.33	10.33	8.58	7.83	6.33
					LPM	770	680	620	515	470	380
1	ZRS250-0502	5.0	2	0	Total Head in Meter	16	20	24	28	30	32
2	ZRS250-7503	7.5	3	0		24	30	36	42	45	48
3	ZRS250-1004	10.0	4	0		32	40	48	56	60	64
4	ZRS250-1205	12.5	5	0		40	50	60	70	75	80
5	ZRS250-1506	15.0	6	0		48	60	72	84	90	96
6	ZRS250-1707	17.5	7	0		56	70	84	98	105	112
7	ZRS250-2008	20.0	8	0		64	80	96	112	120	128
8	ZRS250-2510	25.0	10	1		80	100	120	140	150	160

MODEL : ZRS-200

Outlet : 2.5"

Sr. No.	MODEL	HP	Stg.	Middle	Discharge in LPS / LPM						
					LPS	11.50	10.00	9.00	7.25	6.50	5.00
					LPM	690	600	540	435	390	300
9	ZRS200-6503	6.5	3	0	Total Head in Meter	24	30	36	42	45	48
10	ZRS200-7504	7.5	4	0		32	40	48	56	60	64
11	ZRS200-1005	10.0	5	0		40	50	60	70	75	80
12	ZRS200-1206	12.5	6	0		48	60	72	84	90	96
13	ZRS200-1508	15.0	8	0		64	80	96	112	120	128
14	ZRS200-1709	17.5	9	0		72	90	108	126	135	144
15	ZRS200-2010	20.0	10	0		80	100	120	140	150	160
16	ZRS200-2513	25.0	13	1		104	130	156	182	195	208

MODEL : ZRS-150

Outlet : 2.5"

Sr. No.	MODEL	HP	Stg.	Middle	Discharge in LPS / LPM						
					LPS	8.50	7.50	6.33	5.67	5.00	4.17
					LPM	510	450	380	340	300	250
17	ZRS150-0302	3.0	2	0	Total Head in Meter	16	20	24	28	30	32
18	ZRS150-0503	5.0	3	0		24	30	36	42	45	48
19	ZRS150-6504	6.5	4	0		32	40	48	56	60	64
20	ZRS150-7505	7.5	5	0		40	50	60	70	75	80
21	ZRS150-1007	10.0	7	0		56	70	84	98	105	112
22	ZRS150-1208	12.5	8	0		64	80	96	112	120	128
23	ZRS150-1510	15.0	10	0		80	100	120	140	150	160
24	ZRS150-1712	17.5	12	1		96	120	144	168	180	192
25	ZRS150-2014	20.0	14	1		112	140	168	196	210	224
26	ZRS150-2517	25.0	17	1		136	170	204	238	255	272



MODEL : ZRS-125
Outlet : 2.5"

Sr. No.	MODEL	HP	Stg.	Middle	Discharge in LPS / LPM						
					LPS	6.67	5.75	5.25	4.50	4.00	3.33
					LPM	400	345	315	270	240	200
27	ZRS125-0504	5.0	4	0	Total Head in Meter	32	40	48	56	60	64
28	ZRS125-6505	6.5	5	0		40	50	60	70	75	80
29	ZRS125-7506	7.5	6	0		48	60	72	84	90	96
30	ZRS125-1008	10.0	8	0		64	80	96	112	120	128
31	ZRS125-1210	12.5	10	0		80	100	120	140	150	160
32	ZRS125-1512	15.0	12	1		96	120	144	168	180	192
33	ZRS125-1714	17.5	14	1		112	140	168	196	210	224
34	ZRS125-2016	20.0	16	1		128	160	192	224	240	256
35	ZRS125-2520	25.0	20	2		160	200	240	280	300	320

MODEL : ZRS-100
Outlet : 2.0"

Sr. No.	MODEL	HP	Stg.	Middle	Discharge in LPS / LPM						
					LPS	5.17	4.67	4.17	3.50	3.00	2.50
					LPM	310	280	250	210	180	150
36	ZRS100-0303	3.0	3	0	Total Head in Meter	24	30	36	42	45	48
37	ZRS100-0505	5.0	5	0		40	50	60	70	75	80
38	ZRS100-6506	6.5	6	0		48	60	72	84	90	96
39	ZRS100-7508	7.5	8	0		64	80	96	112	120	128
40	ZRS100-1010	10.0	10	0		80	100	120	140	150	160
41	ZRS100-1212	12.5	12	1		96	120	144	168	180	192
42	ZRS100-1515	15.0	15	1		120	150	180	210	225	240
43	ZRS100-1718	17.5	18	1		144	180	216	252	270	288
44	ZRS100-2020	20.0	20	1		160	200	240	280	300	320
45	ZRS100-2525	25.0	25	2		200	250	300	350	375	400

MODEL : ZRS-080
Outlet : 2.0"

Sr. No.	MODEL	HP	Stg.	Middle	Discharge in LPS / LPM						
					LPS	4.08	3.67	3.17	2.50	2.25	1.58
					LPM	245	220	190	150	135	95
46	ZRS080-0304	3.0	4	0	Total Head in Meter	32	40	48	56	60	64
47	ZRS080-0506	5.0	6	0		48	60	72	84	90	96
48	ZRS080-6508	6.5	8	0		64	80	96	112	120	128
49	ZRS080-7510	7.5	10	0		80	100	120	140	150	160
50	ZRS080-1012	10.0	12	1		96	120	144	168	180	192
51	ZRS080-1216	12.5	16	1		128	160	192	224	240	256
52	ZRS080-1518	15.0	18	1		144	180	216	252	270	288
53	ZRS080-1722	17.5	22	2		176	220	264	308	330	352
54	ZRS080-2025	20.0	25	2		200	250	300	350	375	400
55	ZRS080-2530	25.0	30	2		240	300	360	420	450	480



MODEL : ZRS-060
Outlet : 2.0"

Sr. No.	MODEL	HP	Stg.	Middle	Discharge in LPS / LPM						
					LPS	3.50	2.83	2.58	2.00	1.58	1.17
					LPM	210	170	155	120	95	70
56	ZRS060-0305	3.0	5	0	Total Head in Meter	40	50	60	70	75	80
57	ZRS060-0508	5.0	8	0		64	80	96	112	120	128
58	ZRS060-6510	6.5	10	0		80	100	120	140	150	160
59	ZRS060-7512	7.5	12	0		96	120	144	168	180	192
60	ZRS060-1016	10.0	16	1		128	160	192	224	240	256
61	ZRS060-1221	12.5	21	1		168	210	252	294	315	336
62	ZRS060-1525	15.0	25	2		200	250	300	350	375	400
63	ZRS060-2030	20.0	30	2		240	300	360	420	450	480

MODEL : ZRS-050
Outlet : 2.0"

Sr. No.	MODEL	HP	Stg.	Middle	Discharge in LPS / LPM						
					LPS	2.92	2.33	2.00	1.50	1.17	0.75
					LPM	175	140	120	90	70	45
64	ZRS050-0306	3.0	6	0	Total Head in Meter	48	60	72	84	90	96
65	ZRS050-0510	5.0	10	0		80	100	120	140	150	160
66	ZRS050-6512	6.5	12	0		96	120	144	168	180	192
67	ZRS050-7515	7.5	15	0		120	150	180	210	225	240
68	ZRS050-1020	10.0	20	1		160	200	240	280	300	320
69	ZRS050-1224	12.5	24	2		192	240	288	336	360	384



V-6 PREMIUM - Mixed Flow Submersible Pumpset

Stainless Steel Motor & Pump, Pump CI Bowl & SS-410 Impeller

Suitable for Borwell Dia. 6" or More, Operating 415 Volt 3-Phase @ 50Hz

MODEL : MF-302-25

Outlet : 3.0"

Sr. No.	MODEL	HP	Stg.	Discharge in LPS / LPM							
				LPS	20.00	18.33	17.50	15.00	14.17	11.33	9.17
				LPM	1200	1100	1050	900	850	680	550
1	MF302-0502	5.0	2	Total Head in Meter	10	12	14	16	18	20	22
2	MF302-7503	7.5	3		15	18	21	24	27	30	33
3	MF302-1004	10.0	4		20	24	28	32	36	40	44
4	MF302-1205	12.5	5		25	30	35	40	45	50	55
5	MF302-1506	15.0	6		30	36	42	48	54	60	56
6	MF302-1707	17.5	7		35	42	49	56	63	70	77
7	MF302-2008	20.0	8		40	48	56	64	72	80	88
8	MF302-2510	25.0	10		50	60	70	80	90	100	110

MODEL : MF-302-20

Outlet : 3.0"

Sr. No.	MODEL	HP	Stg.	Discharge in LPS / LPM							
				LPS	15.83	14.67	14.00	12.67	11.33	9.50	7.50
				LPM	950	880	840	760	680	570	450
9	MF302-6503	6.5	3	Total Head in Meter	15	18	24	26	28	30	33
10	MF302-7504	7.5	4		20	24	28	32	36	40	44
11	MF302-1005	10.0	5		25	30	35	40	45	50	55
12	MF302-1206	12.5	6		30	36	42	48	54	60	66
13	MF302-1508	15.0	8		35	42	49	56	63	70	77
14	MF302-1709	17.5	9		45	54	63	72	81	90	99
15	MF302-2010	20.0	10		50	60	70	80	90	100	110
16	MF302-2512	25.0	12		60	72	84	96	108	120	132

MODEL : MF-273-15

Outlet : 2.5"

Sr. No.	MODEL	HP	Stg.	Discharge in LPS / LPM							
				LPS	14.17	12.83	11.67	10.00	9.33	7.50	4.67
				LPM	850	770	700	600	560	450	280
17	MF273-0503	5.0	3	Total Head in Meter	15	18	24	26	28	30	33
18	MF273-6504	6.5	4		20	24	28	32	36	40	44
19	MF273-7505	7.5	5		25	30	35	40	45	50	55
20	MF273-1007	10.0	7		35	42	49	56	63	70	77
21	MF273-1208	12.5	8		40	48	56	64	72	80	88
22	MF273-1510	15.0	10		50	60	70	80	90	100	110
23	MF273-1712	17.5	12		60	72	84	96	108	120	132
24	MF273-2013	20.0	13		65	78	91	104	117	120	143
25	MF273-2516	25.0	16		80	90	112	128	144	160	176



MODEL : MF-262-12
Outlet : 2.5"

Sr. No.	MODEL	HP	Stg.	Discharge in LPS / LPM							
				LPS	12.50	11.67	10.00	9.00	7.50	5.83	3.33
				LPM	750	700	600	540	450	350	200
26	MF262-0504	5.0	4	Total Head in Meter	20	24	28	32	36	40	44
27	MF262-6505	6.5	5		25	30	35	40	45	50	55
28	MF262-7506	7.5	6		30	36	42	48	54	60	66
29	MF262-1008	10.0	8		40	48	56	64	70	80	88
30	MF262-1210	12.5	10		50	60	70	80	90	100	110
31	MF262-1512	15.0	12		60	72	84	96	108	120	132
32	MF262-1714	17.5	14		70	84	98	112	126	140	154
33	MF262-2016	20.0	16		80	96	112	128	144	160	176
34	MF262-2520	25.0	20		100	120	140	160	180	200	240

MODEL : MF-262-10
Outlet : 2.5"

Sr. No.	MODEL	HP	Stg.	Discharge in LPS / LPM							
				LPS	10.50	9.67	9.17	8.33	7.17	6.33	3.33
				LPM	630	580	550	500	430	380	200
35	MF262-0303	3.0	3	Total Head in Meter	15	18	24	26	28	30	33
37	MF262-0505	5.0	5		20	25	30	35	40	45	50
38	MF262-6506	6.5	6		24	30	36	42	48	54	60
39	MF262-7508	7.5	8		30	40	48	56	64	72	80
40	MF262-1010	10.0	10		40	50	60	70	80	90	100
41	MF262-1212	12.5	12		48	60	72	84	96	108	120
42	MF262-1515	15.0	15		60	75	90	105	120	135	150
43	MF262-1718	17.5	18		72	90	108	126	144	162	180
44	MF262-2020	20.0	20		80	100	120	140	160	180	200

MODEL : MF-262-08
Outlet : 2.5"

Sr. No.	MODEL	HP	Stg.	Discharge in LPS / LPM							
				LPS	9.00	8.33	7.83	6.67	6.17	5.00	2.50
				LPM	540	500	470	400	370	300	150
45	MF262-0304	3.0	4	Total Head in Meter	16	20	24	28	32	36	40
47	MF262-0506	5.0	6		24	30	36	42	48	54	60
48	MF262-6508	6.5	8		32	40	48	56	64	75	80
49	MF262-7510	7.5	10		40	50	60	70	80	90	100
50	MF262-1012	10.0	12		48	60	72	84	96	108	120
51	MF262-1215	12.5	15		60	75	90	105	120	135	150
52	MF262-1518	15.0	18		72	90	108	126	144	162	180



V-7/V-6 JANTA - ZC Submersible Pumpset - Three Phase

Stainless Steel V-6 Motor & V-7 Pump with CI Bowl & SS - 410 Impeller

Suitable for Borwell Dia. 7" or More, Operating 415 Volt 3-Phase @ 50Hz

MODEL : ZC7-500

Outlet : 4.0"

Sr. No.	Model	HP	Stg.	Discharge in LPS / LPM							
				LPS	25.33	24.17	23.33	21.67	20.83	19.17	17.50
				LPM	1520	1450	1400	1300	1250	1150	1050
1	ZC7500-501	5.0	1	Total Head in Meter	8	9	10	11	12	13	14
2	ZC7500-102	10.0	2		16	18	20	22	24	26	28
3	ZC7500-153	15.0	3		24	27	30	33	36	39	42
4	ZC7500-204	20.0	4		32	36	40	44	48	52	56
5	ZC7500-255	25.0	5		40	45	50	55	60	65	70

MODEL : ZC7-400

Outlet : 4.0"

Sr. No.	Model	HP	Stg.	Discharge in LPS / LPM							
				LPS	22.50	21.17	20.00	18.83	17.50	16.00	14.17
				LPM	1350	1270	1200	1130	1050	960	850
6	ZC7400-752	7.5	2	Total Head in Meter	16	18	20	22	24	26	28
7	ZC7400-123	12.5	3		24	27	30	33	36	39	42
8	ZC7400-154	15.0	4		32	36	40	44	48	52	56
9	ZC7400-205	20.0	5		40	45	50	55	60	65	70
10	ZC7400-256	25.0	6		48	54	60	66	72	78	84

MODEL : ZC7-300

Outlet : 3.0"

Sr. No.	Model	HP	Stg.	Discharge in LPS / LPM							
				LPS	20.83	19.50	18.33	17.00	15.50	13.33	11.67
				LPM	1250	1170	1100	1020	930	800	700
11	ZC7300-652	6.5	2	Total Head in Meter	16	18	20	22	24	26	28
12	ZC7300-103	10.0	3		24	27	30	33	36	39	42
13	ZC7300-124	12.5	4		32	36	40	44	48	52	56
14	ZC7300-155	15.0	5		40	45	50	55	60	65	70
15	ZC7300-176	17.5	6		48	54	60	66	72	78	84
16	ZC7300-207	20.0	7		56	63	70	77	84	91	98
17	ZC7300-258	25.0	8		64	72	80	88	96	104	112

MODEL : ZC7-250

Outlet : 3.0"

Sr. No.	Model	HP	Stg.	Discharge in LPS / LPM							
				LPS	17.50	16.67	15.83	14.67	12.83	10.83	8.33
				LPM	1050	1000	950	880	770	650	500
18	ZC7250-502	5.0	2	Total Head in Meter	16	18	20	22	24	26	28
19	ZC7250-753	7.5	3		24	27	30	33	36	39	42
20	ZC7250-104	10.0	4		32	36	40	44	48	52	56
21	ZC7250-125	12.5	5		40	45	50	55	60	65	70
22	ZC7250-156	15.0	6		48	54	60	66	72	78	84
23	ZC7250-177	17.5	7		56	63	70	77	84	91	98
24	ZC7250-208	20.0	8		64	72	80	88	96	104	112
25	ZC7250-2510	25.0	10		80	90	100	110	120	130	140



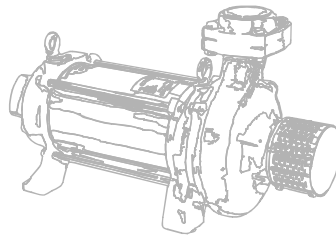
V-7 SS HORIZONTAL OPENWELL PUMPS - Single & Three Phase

S.S. Agriculture Horizontal Openwell - Copper Rotor - Single Phase Only & Two Phase

Fully S.S. Body & S.S. Impellers , 50 Hz - 230 Volt.

Sr. No.	MODEL	HP	Suc. x Del. (In Inch)	Total Head in Meter											
				8	10	12	14	16	18	20	22	24	26	32	
1	ZSS-0514	0.5	1.0" x 1.0"	Disch. in LPM	165	150	130	105	82	60	-	-	-	-	-
2	ZSS-1022	1.0	1.25" x 1.0"		-	260	245	230	205	185	160	153	100	55	-
3	ZSS-1520	1.5	1.5" x 1.5"		-	425	355	315	255	190	165	140	105	-	-
4	ZSS-2022	2.0	2.0" x 2.0"		-	460	400	345	325	290	235	195	150	115	-
5	ZSS-3024	3.0	2.5" x 2.0"		-	590	545	525	490	455	415	365	315	208	-
6	ZSS-5022	5.0	2.5" x 2.5"		-	1400	1320	1280	1200	1100	1040	990	800	700	-
7	ZSS-6524	6.5	2.5" x 2.5"		-	1200	1150	1130	980	885	680	550	520	480	400

Note : 0.5 HP Model is Available in Single Phase Only, 5 HP and 6.5 HP Model Available in Two Phase Only

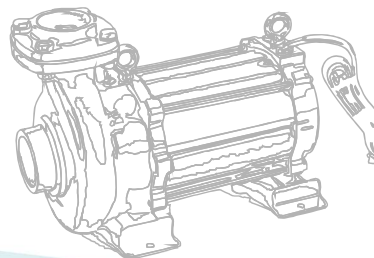


V-9 S.S. HORIZONTAL OPENWELL PUMPS - Three Phase

S.S. Agriculture Horizontal Openwell - Copper Rotor - Single Phase & Two Phase

S.S. Body & C.I. Impellers , 50 Hz - 230 Volt.

Sr. No.	MODEL	HP	Suc. x Del. (In Inch)	Total Head in Metre									
				10	15	20	25	27	28	30	36	40	
1	ZS-320	3.0	2.5" x 2.5"	Dis. in LPM	910	790	650	420	180	50	-	-	-
2	ZS-528	5.0	2.5" x 2.5"		1080	940	895	775	700	670	380	150	-
3	ZS-6528	6.5	2.5" x 2.5"		1110	1040	1008	950	900	840	672	372	-



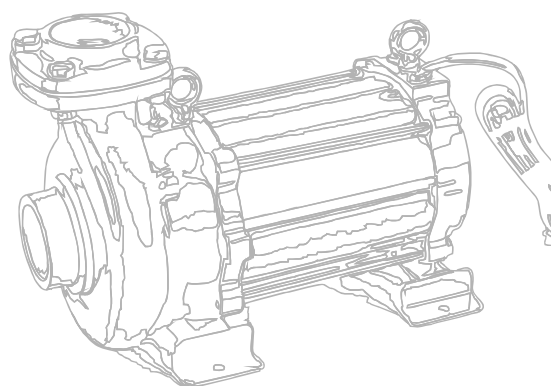
V-9 S.S. HORIZONTAL OPENWELL PUMPS - Three Phase

S.S. Agriculture Horizontal Openwell - Copper Rotor - Three Phase

S.S. Body & C.I. Impellers , 50 Hz - 415 Volt.

Sr. No.	MODEL	HP	Suc. x Del. (In Inch)	Total Head in Metre														
				10	15	20	25	30	35	40	45	50	55	60	65	70	75	80
1	ZS-325	3.0	2.5" x 2.0"	820	728	652	599	100										
2	ZS-525	5.0	2.5" x 2.5"	1080	940	895	775	380										
3	ZS-530	5.0	2.5" x 2.0"	880	790	755	780	720	515	208								
4	ZS-6528	6.5	2.5" x 2.5"	1110	1040	1008	950	672	350									
5	ZS-6533	6.5	2.5" x 2.0"	880	810	780	760	735	573	297								
6	ZS-7530	7.5	2.5" x 2.5"	1120	1100	1080	1056	906	690	427								
7	ZS-7540	7.5	2.5" x 2.0"	910	890	830	810	750	710	580	380							
8	ZS-1044	10.0	3.0" x 3.0"	1300	1105	1100	1090	1056	1050	960	800							
9	ZSW-1060	10.0	2.5" X 2"						910	800	780	750	685	600	435	200		
10	ZSW-1220	12.5	5" X 5"	3050	2600	1975	1430	1000										
11	ZSW-1230	12.5	4" X 4"			2300	1970	1580	1110	600								
12	ZSW-1250	12.5	2.5" X 2.5"							1070	1050	930	650	500				
13	ZSW-1260	12.5	2.5" X 2"								800	750	700	580	500	350		
14	ZSW-1524	15.0	5" X 5"	3100	2850	2500	1930	1400	1000									
15	ZSW-1532	15.0	4" X 4"			2400	2110	1880	1550	1175	955							
16	ZSW-1560	15.0	2.5" X 2.5"							1080	1045	950	800	630	400			
17	ZSW-1570	15.0	2.5" X 2"							860	840	810	780	688	650	483	275	
18	ZSW-2030	20.0	5" X 5"		3200	3090	2900	2450	1700	1250								
19	ZSW-2040	20.0	4" X 4"				3034	2850	2650	2225	2080	1210						
20	ZSW-2065	20.0	2.5" X 2.5"										1250	1130	1030	700	400	330

Discharge in LPM



V-9 AGRICULTURE VERTICAL OPENWELL CI

180mm Ø Motor S.S.Body & 160mm Ø Pump C.I. Bowl and C.I. Impeller

Suitable for Borwell Dia. 12" or More, 230 Volt for 1-Phase & 415 Volt for 3-Phase @ 50Hz

MODEL : PP-250

Outlet : 2.5"

Sr. No.	MODEL	HP	Stg.	Discharge in LPS / LPM							
				LPS	13.33	12.17	10.50	10.00	9.00	7.00	5.00
				LPM	800	730	630	600	540	420	300
1	PP250-5003	5.0	3	Total Head in Meter	30	36	42	45	48	54	57
2	PP250-7504	7.5	4		40	48	56	60	64	72	76
3	PP250-1005	10.0	5		50	60	70	75	80	90	95
4	PP250-1206	12.5	6		60	72	84	90	96	108	114

MODEL : PP-330

Outlet : 3.0"

Sr. No.	MODEL	HP	Stg.	Discharge in LPS / LPM							
				LPS	15.58	14.83	13.58	12.50	11.92	10.00	6.75
				LPM	935	890	815	750	715	600	405
5	PP330-5002	5.0	2	Total Head in Meter	20	24	28	30	32	36	38
6	PP330-7203	7.5	3		30	36	42	45	48	54	57
7	PP330-1004	10.0	4		40	48	56	60	64	72	76
8	PP330-1205	12.5	5		50	60	70	75	80	90	95
9	PP330-1506	15.0	6		60	72	84	90	96	108	114



MODEL : PP-400

Outlet : 3.0"

Sr. No.	MODEL	HP	Stg.	Discharge in LPS / LPM							
				LPS	17.33	16.33	15.17	14.17	13.50	11.50	10.00
				LPM	1040	980	910	850	810	690	600
10	PP400-7502	7.5	2	Total Head in Meter	20	24	28	30	32	36	38
11	PP400-1003	10.0	3		30	36	42	45	48	54	57
12	PP400-1204	12.5	4		40	48	56	60	64	72	76
13	PP400-1505	15.0	5		50	60	70	75	80	90	95

V-9 AGRICULTURE VERTICAL OPENWELL SS

180mm Ø Motor S.S.Body & 160mm Ø Pump C.I. Bowl and S.S. Impeller

Suitable for Borwell Dia. 12" or More, 230 Volt for 1-Phase & 415 Volt for 3-Phase @ 50Hz

MODEL : RI-250

Outlet : 2.5"

Sr. No.	MODEL	HP	Stg.	Discharge in LPS / LPM							
				LPS	13.33	12.17	10.50	10.00	9.00	7.00	5.00
				LPM	800	730	630	600	540	420	300
1	RI250-5003	5.0	3	Total Head in Meter	30	36	42	45	48	54	57
2	RI250-7504	7.5	4		40	48	56	60	64	72	76
3	RI250-1005	10.0	5		50	60	70	75	80	90	95
4	RI250-1206	12.5	6		60	72	84	90	96	108	114

MODEL : RI-330

Outlet : 3.0"

Sr. No.	MODEL	HP	Stg.	Discharge in LPS / LPM							
				LPS	15.58	14.83	13.58	12.50	11.92	10.00	6.75
				LPM	935	890	815	750	715	600	405
5	RI330-5002	5.0	2	Total Head in Meter	20	24	28	30	32	36	38
6	RI330-7503	7.5	3		30	36	42	45	48	54	57
7	RI330-1004	10.0	4		40	48	56	60	64	72	76
8	RI330-1205	12.5	5		50	60	70	75	80	90	95
9	RI330-1506	15.0	6		60	72	84	90	96	108	114



MODEL : RI-400

Outlet : 3.0"

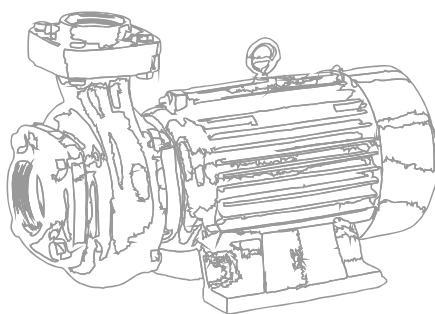
Sr. No.	MODEL	HP	Stg.	Discharge in LPS / LPM							
				LPS	17.33	16.33	15.17	14.17	13.50	11.50	10.00
				LPM	1040	980	910	850	810	690	600
10	RI400-7502	7.5	2	Total Head in Meter	20	24	28	30	32	36	38
11	RI400-1003	10.0	3		30	36	42	45	48	54	57
12	RI400-1204	12.5	4		40	48	56	60	64	72	76
13	RI400-1505	15.0	5		50	60	70	75	80	90	95

MONOBLOCK PUMPS - Single & Three Phase

Monoblock Pumps - Copper Rotor - Three Phase

C.I. Body & C.I. Impellers , 50 Hz - 415V in III Phase & 230V in I Phase

Sr. No.	MODEL	HP	Phase	Suc. x Del. (In mm)	Total Head in Metre									
					6	8	10	12	14	16	18	20	22	26
1	ZMS-0512	0.5	SP	25 x 25	135	128	123	120	105	84	75	60	-	-
2	ZMS-1018	1.0	SP / TP	35 x 25	-	-	-	205	180	160	135	110	50	-
3	ZMS-1016	1.0	SP / TP	40 x 40	-	-	310	280	250	210	150	120	-	-
4	ZMS-1012	1.0	SP / TP	50 x 50	-	420	405	365	125	-	-	-	-	-
5	ZMS-1518	1.5	SP / TP	40 x 40	-	-	-	240	255	210	200	190	175	160
6	ZMS-1514	1.5	SP / TP	50 x 50	-	600	520	450	370	250	170	-	-	-
7	ZMS-1512	1.5	SP / TP	65 x 50	-	550	500	460	420	310	-	-	-	-
8	ZMS-2018	2.0	SP / TP	65 x 50	-	-	-	575	525	480	400	270	-	-
9	ZMS-2014	2.0	SP / TP	80 x 65	1030	950	860	770	590	200	-	-	-	-
10	ZMS-2012	2.0	SP / TP	80 x 80	1130	1050	960	860	660	-	-	-	-	-
11	ZMS-3018	3.0	SP	65 x 50	-	-	-	730	630	580	470	380	300	-
12	ZMS-3016	3.0	SP	80 x 65	800	770	700	630	550	450	320	250	-	-
13	ZMS-3014	3.0	SP	80 x 80	850	800	760	720	630	580	-	-	-	-



Important Points to Remember

1. Select cables that minimize power and voltage loss.
2. The pump should not be operated in dry conditions. Install a dry run preventer to protect the pump from dry running.
3. The pump should be run for a few minutes at least once every two days to prevent it from seizing.
4. Use ISI marked, low-friction, good-quality pipes.
5. Pipe sizes mentioned in mm are nominal pipe sizes and are the nearest conversion of inch. Pipe threads are provided as per BSP standards
6. Please ensure that the cable (from motor to starter), including any elbows, tees, and bends, is as short as possible to directly affect pump performance positively.
7. The best efficiency of the pump is at the duty point (S1 Duty).

V-3 Series

- Suitable for 3.0" Bore diameter.
- Excellent Quality SS-202 Grade Pump Pipe
- Noryl Glass Filled Bowl Set.
- Power of endurance in Pressure Bowl Design.
- CRNO M-47 (Cold Rolled Non Grain Orientale) Stamping Of Motor
- Copper: EC Grade.
- Shaft: SS410 Grade
- Head Range 13m. to 65m.
- Availability only Single Phase.
- Usage In Domestic & Gardening.

V-4 Deluxe Series

- Suitable for 4.00" Bore diameter.
- Excellent Quality SS-202 Grade Pump Pipe & Motor Body.
- Noryl Glass Filled Bowl Set.
- Power of endurance in Pressure Bowl Design.
- CRNO M-47 (Cold Rolled Non Grain Orientale) Stamping of Motor.
- EC Grade Aluminium Rotor Presser Dye Cast.
- Shaft : SS 410 Grade & SS-431 Grade
- S1 Duty in Voltage Range up to 230V. to 130V. In Single Phase & 440V. to 250V. In Three Phase.
- Head Range 15m. to 160m.
- Availability Single Phase & Three Phase.
- Usage In Industrial, Domestic & Gardening.

V-4 Special Series

- Suitable for 4.00" Bore diameter.
- Excellent Quality SS-202 Grade Pump Pipe & Motor Body.
- Noryl Glass Filled Bowl Set.
- Power of endurance in Pressure Bowl Design.
- CRNO M-47 (Cold Rolled Non Grain Orientale) Stamping of Motor.
- Copper: EC Grade
- Shaft : SS 410 Grade & SS-431 Grade.
- S1 Duty in Voltage Range up to 230V. to 130V. In Single Phase & 440V. to 250V. In Three Phase.
- Head Range 18m. to 385m.
- Availability Single Phase & Three Phase.
- Usage In Agricultural, Industrial, Domestic & Gardening.

V-6 ZRS Series / (V-6 Slim Series)

- Suitable for 6.0" Bore diameter.
- Excellent Quality SS-304 Grae Pump Bowls & SS-410 Impellers.
- Balanced Impellers.
- Power of endurance in Pressure Bowl Design.
- CRNO M-45 (Cold Rolled Non Grain Orientale) Stamping of Motor.
- Copper : EC Grade.
- Shaft : SS 410 Grade & SS-431 Grade.
- S1 Duty In Voltage Range up to 440V. to 250V. In Three Phase
- Head Range 16m. to 350m.
- Availability In Three Phase.
- Usage In Agricultural, Industrial, Domestic & Gardening.

Horizontal & Vertical Openwell (V-7 & V-9 Series)

- Excellent Quality SS-202 Grade Motor Body.
- Balanced Impellers with FG-250 Grade Cl.
- Power of endurance in Pressure Bowl Design.
- CRNO M-45 (Cold Rolled Non Grain Orientale) Stamping Of Motor
- Copper: EC Grade
- Shaft : SS 410 Grade & SS-431 Grade.
- S1 Duty In Voltage Range up to 440V, to 250V. In Three Phase.
- Head Range 12m. to 60m.
- Availability In Three Phase & Single Phase.
- Usage In Agricultural, Industrial, Domestic & Gardening.

Cable Selection Guide

Max. 20 Voltage Drop Calculation (Only Copper Cable)									
Grid Voltage & Amp		Size in Sq. mm	1mm	1.5mm	2.5mm	4mm	6mm	10mm	16mm
Voltage	Amp.	Capacity	12 Amp.	16 Amp.	22 Amp.	29 Amp.	37 Amp.	51 Amp.	61 Amp.
230	5	Cable Length in Mtr.	100	150	250				
230	10			80	130	200	300		
230	15				80	150	250	350	
230	20					100	160	250	
415	5		230	320	550	900			
415	10		100	150	250	400	600		
415	15			110	150	280	400	750	
415	20				135	200	300	500	900
415	25					100	250	400	700
415	30						230	380	600
415	35						180	300	500
415	40							280	450
415	45							250	400
415	50							210	350

Max. 5% Energy Losses Calculation (Only Copper Cable)									
Grid Voltage & Amp		Size in Sq. mm	1mm	1.5mm	2.5mm	4mm	6mm	10mm	16mm
Voltage	Amp.	Capacity	12 Amp.	16 Amp.	22 Amp.	29 Amp.	37 Amp.	51 Amp.	61 Amp.
230	5	Cable Length in Mtr.	50	80	120	180			
230	10			35	60	100	150		
230	15				40	60	100		
230	20					50	80	130	200
415	5		120	150	250	350			
415	10			80	130	200	300	500	900
415	15				80	135	200	330	580
415	20					100	150	250	430
415	25					80	120	200	350
415	30					70	110	180	280
415	35						95	160	250
415	40							140	220
415	45							120	200
415	50							110	180

:: Terms & Conditions ::

1. The old price list is cancelled by the introduction of this new price list.
2. Prices are subject to changes without any prior notice.
3. Prices are ex works.
4. GST or any other taxes will be extra as per government norms.
5. Once goods are sold, they will not be taken back or replaced under any circumstances.
6. Payment will be made in advance along with a confirmed purchase order.
7. Freight will be extra as per actual in the consignee's scope.
8. Warranty is applicable for all types of manufacturing defects only for a standard period of one year from the date of invoice.
9. Warranty is void if there is misuse or mishandling of the product.
10. The company will not be responsible for any damage or loss in transit.
11. Installation will be in the customer's scope.
12. All disputes are subject to Rajkot jurisdiction.



RANJAN INDUSTRIES

Street No. 3 Corner, Samrat Industrial Area Main Road,
B/H ST Workshop, Gondal Road, Rajkot- 360004, Gujarat - India.

Web : www.ranjanindustries.in
Email : ranjan28496@gmail.com

Toll Free : 1800 1234 181